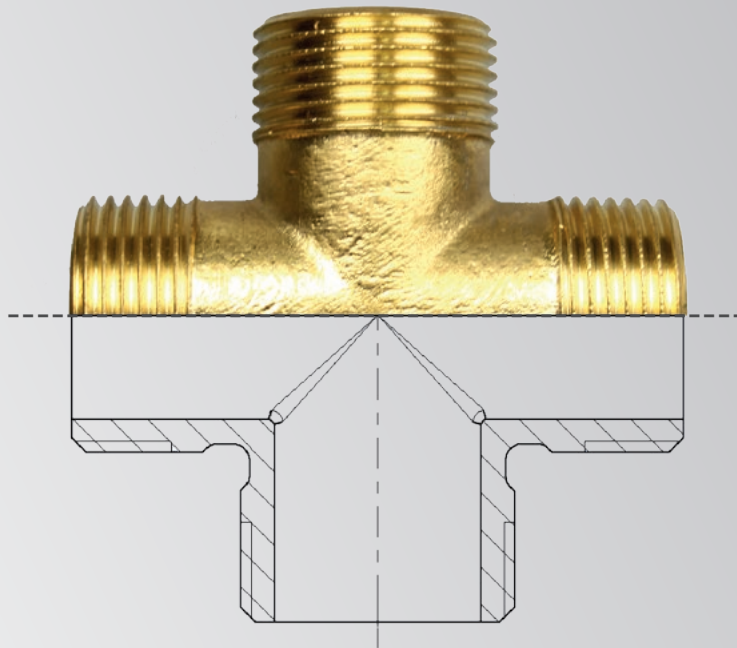




Fittings with Threads.



■ made
■ in
■ Germany

D

**DIVERSITY
MAKES THE
DIFFERENCE.**

Brass Fittings with Threads - D

Great Diversity for the application in drinking water, water and heating systems..

BEULCO threaded fittings are ideal for the application in the field of water and heating installations. The wide variety enables combinations for each situation (sanitary, heating, industry, climate).

Dimensions:

1/8" to 4"

Application:

- Drinking water
- Cold and hot water up to 90 °C
- Water with glycol

Material

Our fittings are made of thermally unstressed brass according to DIN 50930-6. The material is applicable for drinking water and meets the legal requirements (Drinking Water Directive 98/83/EC).

The reliable brass guarantees a long life.



Overview

Image	Description	Page	Image	Description	Page	Image	Description	Page
	T-piece cyl. male thread Model 182	5		Bend 90° cyl. male thread Model 142	10		Reducer con. male/cyl. female Model 1501	16
	T-piece cyl. male/cyl. female Model 1820	5		Bend 90° cyl. male/con. male Model 143	10		Reducer with sealing surface cyl. male/cyl. female Model 151	16
	T-piece cyl. female thread Model 183	6		Bend 90° cyl. female/cyl. male Model 144	10		Double nipple con. male thread Model 1531	17
	Cross piece cyl. male thread Model 184	6		Bend 90° cyl. female/con. male Model 145	10		Double nipple cyl. male thread Model 153	17
	Cross piece cyl. female thread Model 185	6		Bend 90° cyl. female thread Model 146	11		Double nipple cyl. red. male thread Model 156	18
	Elbow 90° cyl. male thread Model 131	7		S-bend cyl. female/con. male Model 6050	11		Double nipple con. red. female thread Model 1561	18
	Elbow 90° cyl. female thread Model 132	7		Oval flange cyl. female Model 148	11		Counter nut cyl. female thread Model 160	19
	Elbow 45° cyl. female thread Model 133	8		Bushing, cyl. female heavy design Model 190	12		Locking plug cyl. male thread Model 164	19
	Elbow 90° cyl. female/con. male Model 1341	8		Bushing, cyl. red. female, heavy design Model 192	12		Locking plug con. male thread Model 1641	19
	Elbow 45° cyl. female/con. male Model 135	8		Bushing, cyl. red. female, light design Model 193	13		Locking cap cyl. female thread Model 165	20
	Elbow 90° cyl. red. female thread Model 138	9		Bushing cyl. female/cyl. male Model 194	14		Socket Cu pipe connection Model 166	20
	Elbow 90° cyl. male/cyl. red. female Model 140	9		Reducer cyl. male/cyl. female Model 150	15		Water meter fitting Cu pipe connection Model 167	21
							Pipe nipple con. male thread Model 154	23

APPLICATION	D	● = Drinking Water
	W	● = Water
	H	● = Heating



T-PIECE, MALE THREAD

Model 182

with cylindrical male thread

thread	D	W	H	pkg. unit	EAN no. 4027848-
3/8"	●	●	●	10	136018
1/2"	●	●	●	10	136025
3/4"	●	●	●	10	136032
1"	●	●	●	10	136049
1 1/4"	●	●	●	5	136056
1 1/2"	●	●	●	2	136063
2"	●	●	●	2	136070
2 1/2"	●	●	●	1	136087
3"	●	●	●	1	136094
3 1/2"	●	●	●	1	136100



T-PIECE, MALE AND FEMALE THREAD

Model 1820

passage with cylindrical male thread,
outflow with reduced cylindrical female thread

thread	D	W	H	pkg. unit	EAN no. 4027848-
3/4" x 1/2"	●	●	●	10	136117
1" x 3/4"	●	●	●	5	136124
1 1/4" x 1"	●	●	●	5	136131
1 1/2" x 1 1/4"	●	●	●	2	136148
2" x 1 1/2"	●	●	●	2	136155
2 1/2" x 2"	●	●	●	1	136162
3" x 2 1/2"	●	●	●	1	136179
3 1/2" x 3"	●	●	●	1	136186



T-PIECE, FEMALE THREAD
Model 183

with cylindrical female thread

thread	D	W	H	pkg. unit	EAN no. 4027848-
1/8"	●	●	●	10	136193
1/4"	●	●	●	10	136209
3/8"	●	●	●	10	136216
1/2"	●	●	●	20	136223
3/4"	●	●	●	10	136230
3/4" x 1/2" (with reduced outflow)	●	●	●	10	136308
1"	●	●	●	5	136247
1 1/4"	●	●	●	5	136254
1 1/2"	●	●	●	2	136261
2"	●	●	●	2	136278
2 1/2"	●	●	●	2	136285
3"	●	●	●	1	136292



CROSS PIECE, MALE THREAD
Model 184

with cylindrical male thread

thread	D	W	H	pkg. unit	EAN no. 4027848-
1/2"	●	●	●	10	136322
3/4"	●	●	●	10	136339
1"	●	●	●	5	136346



CROSS PIECE, FEMALE THREAD
Model 185

with cylindrical female thread

thread	D	W	H	pkg. unit	EAN no. 4027848-
1/2"	●	●	●	10	136407
3/4"	●	●	●	10	136414
1"	●	●	●	5	136421
1 1/4"	●	●	●	2	136438
1 1/2"	●	●	●	2	136445
2"	●	●	●	1	136452

APPLICATION	D	● = Drinking Water
	W	● = Water
	H	● = Heating



ELBOW 90°, MALE THREAD
Model 131

with cylindrical male thread

thread	D	W	H	pkg. unit	EAN no. 4027848-
3/8"	●	●	●	10	136476
1/2"	●	●	●	10	136483
3/4"	●	●	●	10	136490
1"	●	●	●	10	136506
1 1/4"	●	●	●	5	136513
1 1/2"	●	●	●	5	136520
2"	●	●	●	2	136537
2 1/2"	●	●	●	2	136544
3"	●	●	●	1	136551
3 1/2"	●	●	●	1	136568



ELBOW 90°, FEMALE THREAD
Model 132

with cylindrical female thread

thread	D	W	H	pkg. unit	EAN no. 4027848-
3/8"	●	●	●	10	136599
1/2"	●	●	●	10	136605
3/4"	●	●	●	10	136612
1"	●	●	●	10	136629
1 1/4"	●	●	●	5	136636
1 1/2"	●	●	●	5	136643
2"	●	●	●	2	136650
2 1/2"	●	●	●	2	136667
3"	●	●	●	1	136674
4"	●	●	●	1	136681



ELBOW 45°, FEMALE THREAD

Model 133

with cylindrical female thread

thread	D	W	H	pkg. unit	EAN no. 4027848-
1"	●	●	●	10	137152
1 1/4"	●	●	●	5	137169
1 1/2"	●	●	●	5	137176
2"	●	●	●	2	137183



ELBOW 90°, FEMALE AND MALE THREAD

Model 1341

with cylindrical female thread
and conical male thread

thread	D	W	H	pkg. unit	EAN no. 4027848-
1/4"	●	●	●	10	136698
3/8"	●	●	●	10	136704
1/2"	●	●	●	20	136711
3/4"	●	●	●	10	136728
1"	●	●	●	10	136780
1 1/4"	●	●	●	5	136797
1 1/2"	●	●	●	5	136803
2"	●	●	●	2	136810



ELBOW 45°, FEMALE AND MALE THREAD

Model 135

with cylindrical female thread
and conical male thread

thread	D	W	H	pkg. unit	EAN no. 4027848-
1/2"	●	●	●	10	137053
1"	●	●	●	10	137077
1 1/4"	●	●	●	10	137084
1 1/2"	●	●	●	5	137091
2"	●	●	●	2	137107

APPLICATION	D	●	= Drinking Water
	W	●	= Water
	H	●	= Heating



ELBOW 90°, FEMALE THREAD

Model 138

reduced, with cylindrical female thread

thread	D	W	H	pkg. unit	EAN no. 4027848-
1/2" x 3/8"	●	●	●	10	136902
3/4" x 1/2"	●	●	●	10	136919
1" x 3/4"	●	●	●	10	136926
1 1/4" x 1"	●	●	●	5	136933
1 1/2" x 1 1/4"	●	●	●	5	136940
2" x 1 1/2"	●	●	●	2	136957



ELBOW 90°, FEMALE AND MALE THREAD

Model 140

reduced, with cylindrical male thread
and cylindrical female thread

thread	D	W	H	pkg. unit	EAN no. 4027848-
3/8" x 1/4"		●	●	10	136964
3/4" x 1/2"	●	●	●	10	136988
1" x 3/4"	●	●	●	10	136995
1 1/2" x 1 1/4"	●	●	●	2	137015

**BEND 90°, MALE THREAD**

Model 142

with cylindrical male thread

thread	D	W	H	pkg. unit	EAN no. 4027848-
1 1/4"	●	●	●	5	137251
1 1/2"	●	●	●	2	137268

**BEND 90°, MALE THREAD**

Model 143

with cylindrical male thread
and conical male thread

thread	D	W	H	pkg. unit	EAN no. 4027848-
1 1/4"	●	●	●	5	137299
1 1/2"	●	●	●	2	137305

**BEND 90°, FEMALE AND MALE THREAD**

Model 144

with cylindrical female thread
with cylindrical male thread

thread	D	W	H	pkg. unit	EAN no. 4027848-
3/4"	●	●	●	5	137343
1"	●	●	●	5	137350
1 1/4"	●	●	●	5	137367
1 1/2"	●	●	●	2	137374

**BEND 90°, FEMALE AND MALE THREAD**

Model 145

with cylindrical female thread
and conical male thread

thread	D	W	H	pkg. unit	EAN no. 4027848-
1"	●	●	●	5	137398
1 1/4"	●	●	●	5	137404
1 1/2"	●	●	●	2	137411

APPLICATION	D	● = Drinking Water
	W	● = Water
	H	● = Heating



BEND 90°, FEMALE THREAD
Model 146

with cylindrical female thread

thread	D	W	H	pkg. unit	EAN no. 4027848-
3/4"	●	●	●	5	137312
1"	●	●	●	5	137329
1 1/4"	●	●	●	5	137336



S-BEND 90°, FEMALE AND MALE THREAD
Model 6050

with cylindrical female thread
and conical male thread

Gewinde	Mitterversatz (mm)	TW	W	H/F	VE	EAN-Nr. 4027848-
1"	45	●	●	●	5	142699
1 1/4"	50	●	●	●	5	142705



OVAL FLANGE
Model 148

with cylindrical female thread

thread	D	W	H	pkg. unit	EAN no. 4027848-
1 1/4"	●	●	●	1	190553
1 1/2"	●	●	●	1	190560

* The discounts of product group G apply here.



BUSHING, FEMALE THREAD

Model 190

heavy design, with cylindrical female thread

thread	D	W	H	pkg. unit	EAN no. 4027848-
1/8"	●	●	●	10	137435
1/4"	●	●	●	10	137442
3/8"	●	●	●	10	137459
1/2"	●	●	●	10	137466
3/4"	●	●	●	10	137473
1"	●	●	●	10	137480
1 1/4"	●	●	●	5	137497
1 1/2"	●	●	●	5	137503
2"	●	●	●	5	137510
2 1/2"	●	●	●	2	137527
3"	●	●	●	2	137534
4"	●	●	●	1	137541



BUSHING, FEMALE THREAD

Model 192

reduced, heavy design, with cylindrical female thread

thread	D	W	H	pkg. unit	EAN no. 4027848-
3/8" x 1/4"	●	●	●	10	137619
1/2" x 1/4"	●	●	●	10	137633
1/2" x 3/8"	●	●	●	10	137626
3/4" x 1/2"	●	●	●	10	137640
1" x 1/2"	●	●	●	10	137664
1" x 3/4"	●	●	●	10	137657
1 1/4" x 3/4"	●	●	●	5	137688
1 1/4" x 1"	●	●	●	5	137671
1 1/2" x 3/4"	●	●	●	5	137718
1 1/2" x 1"	●	●	●	5	137701
1 1/2" x 1 1/4"	●	●	●	5	137695
2" x 1"	●	●	●	5	137749
2" x 1 1/4"	●	●	●	5	137732
2" x 1 1/2"	●	●	●	5	137725

APPLICATION	D	● = Drinking Water
	W	● = Water
	H	● = Heating



BUSHING, FEMALE THREAD

Model 193

reduced, light design, with cylindrical female thread

thread	D	W	H	pkg. unit	EAN no. 4027848-
3/4" x 3/8"	●	●	●	10	137787
3/4" x 1/2"	●	●	●	10	137770
1" x 1/2"	●	●	●	10	137800
1" x 3/4"	●	●	●	10	137794
1 1/4" x 1/2"	●	●	●	5	137831
1 1/4" x 3/4"	●	●	●	5	137824
1 1/4" x 1"	●	●	●	5	137817
1 1/2" x 3/4"	●	●	●	5	137862
1 1/2" x 1"	●	●	●	5	137855
2" x 3/4"	●	●	●	5	137916
2" x 1"	●	●	●	5	137909
2" x 1 1/4"	●	●	●	5	137893
2" x 1 1/2"	●	●	●	5	137886
2 1/2" x 2"	●	●	●	2	137930
3" x 2"	●	●	●	2	137961



CONNECTOR, FEMALE AND MALE THREAD

Model 194

with cylindrical female thread
and cylindrical male thread

thread	D	W	H	pkg. unit	EAN no. 4027848-
1/4" x 1/8"	●	●	●	10	137978
3/8" x 1/4"	●	●	●	10	137985
1/2" x 3/8"	●	●	●	10	138005
1/2" x 1/2"	●	●	●	10	137992
3/4" x 3/8"	●	●	●	10	138029
3/4" x 1/2"	●	●	●	10	138012
3/4" x 3/4"	●	●	●	10	266142
1" x 1/2"	●	●	●	10	138050
1" x 3/4"	●	●	●	10	138043
1" x 1"	●	●	●	10	138036
1 1/4" x 3/4"	●	●	●	10	138074
1 1/4" x 1"	●	●	●	10	138067
1 1/4" x 1 1/4"	●	●	●	10	266159
1 1/2" x 1"	●	●	●	5	138104
1 1/2" x 1 1/4"	●	●	●	5	138098
1 1/2" x 1 1/2"	●	●	●	5	138081
2" x 1"	●	●	●	5	138142
2" x 1 1/4"	●	●	●	5	138135
2" x 1 1/2"	●	●	●	5	138128
2" x 2"	●	●	●	5	266234
2 1/2" x 2"	●	●	●	2	138159

APPLICATION	D	● = Drinking Water
	W	● = Water
	H	● = Heating



REDUCER, MALE AND FEMALE THREAD
Model 150

with cylindrical male thread
and cylindrical female thread

thread	D	W	H	pkg. unit	EAN no. 4027848-
1/4" x 1/8"	●	●	●	20	138166
3/8" x 1/8"	●	●	●	20	138180
3/8" x 1/4"	●	●	●	20	138173
1/2" x 1/8"	●	●	●	20	138210
1/2" x 1/4"	●	●	●	20	138203
1/2" x 3/8"	●	●	●	20	138197
3/4" x 1/4"	●	●	●	20	138241
3/4" x 3/8"	●	●	●	20	138234
3/4" x 1/2"	●	●	●	20	138227
1" x 3/8"	●	●	●	10	138289
1" x 1/2"	●	●	●	20	138272
1" x 3/4"	●	●	●	20	138265
1 1/4" x 1/2"	●	●	●	10	138319
1 1/4" x 3/4"	●	●	●	10	138302
1 1/4" x 1"	●	●	●	10	138296
1 1/2" x 1/2"	●	●	●	10	138357
1 1/2" x 3/4"	●	●	●	10	138340
1 1/2" x 1"	●	●	●	10	138333
1 1/2" x 1 1/4"	●	●	●	10	138326
2" x 1/2"	●	●	●	5	138401
2" x 3/4"	●	●	●	5	138395
2" x 1"	●	●	●	5	138388
2" x 1 1/4"	●	●	●	5	138371
2" x 1 1/2"	●	●	●	5	138364
2 1/2" x 1 1/4"	●	●	●	2	138432
2 1/2" x 1 1/2"	●	●	●	2	138425
2 1/2" x 2"	●	●	●	2	138418
3" x 1"	●	●	●	2	138494
3" x 1 1/4"	●	●	●	2	138487
3" x 1 1/2"	●	●	●	2	138470
3" x 2"	●	●	●	2	138463
3" x 2 1/2"	●	●	●	2	138456
4" x 1 1/2"	●	●	●	1	138548
4" x 2"	●	●	●	1	138531
4" x 2 1/2"	●	●	●	1	138524
4" x 3"	●	●	●	1	138517



REDUCER, MALE AND FEMALE THREAD
Model 1501

with conical male thread
and cylindrical female thread

thread	D	W	H	pkg. unit	EAN no. 4027848-
3/4" x 1/2"	●	●	●	10	138555
1" x 1/2"	●	●	●	10	138579
1" x 3/4"	●	●	●	10	138562
1 1/4" x 1/2"	●	●	●	10	233304
1 1/4" x 3/4"	●	●	●	10	138593
1 1/4" x 1"	●	●	●	10	138586
1 1/2" x 3/4"	●	●	●	10	232161
1 1/2" x 1"	●	●	●	10	138616
1 1/2" x 1 1/4"	●	●	●	10	138609
2" x 1"	●	●	●	5	138647
2" x 1 1/4"	●	●	●	5	138630
2" x 1 1/2"	●	●	●	5	138623

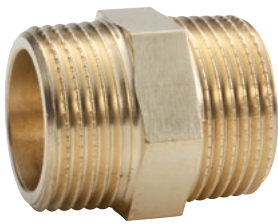


REDUCER, MALE AND FEMALE THREAD
Model 151

with sealing surface (inside)
with cylindrical male thread
and cylindrical female thread

thread	D	W	H	pkg. unit	EAN no. 4027848-
3/4" x 1/2"	●	●	●	10	138654
1" x 3/4"	●	●	●	10	138661
1 1/4" x 3/4"	●	●	●	5	138685
1 1/4" x 1"	●	●	●	5	138678
1 1/2" x 3/4"	●	●	●	5	138715
1 1/2" x 1"	●	●	●	5	138708
1 1/2" x 1 1/4"	●	●	●	5	138692
2" x 1"	●	●	●	5	138746
2" x 1 1/4"	●	●	●	5	138739
2" x 1 1/2"	●	●	●	5	138722

APPLICATION	D	● = Drinking Water
	W	● = Water
	H	● = Heating



DOUBLE NIPPLE, MALE THREAD
Model 1531

with conical male thread

thread	D	W	H	pkg. unit	EAN no. 4027848-
3/4"	●	●	●	10	138876
1/2"	●	●	●	10	227716
1"	●	●	●	10	138883
1 1/4"	●	●	●	10	138890
1 1/2"	●	●	●	5	138906
2"	●	●	●	5	138913



DOUBLE NIPPLE, MALE THREAD
Model 153

with cylindrical male thread

thread	D	W	H	pkg. unit	EAN no. 4027848-
1/8"	●	●	●	10	138753
1/4"	●	●	●	10	138760
3/8"	●	●	●	10	138777
1/2"	●	●	●	20	138784
3/4"	●	●	●	20	138791
1"	●	●	●	20	138807
1 1/4"	●	●	●	5	138814
1 1/2"	●	●	●	5	138821
2"	●	●	●	5	138838
2 1/2"	●	●	●	2	138845
3"	●	●	●	2	138852
4"	●	●	●	1	138869



DOUBLE NIPPLE, MALE THREAD

Model 156

reduced, with cylindrical male thread

thread	D	W	H	pkg. unit	EAN no. 4027848-
1/4" x 1/8"	●	●	●	10	138920
3/8" x 1/4"	●	●	●	10	138937
1/2" x 1/4"	●	●	●	10	138951
1/2" x 3/8"	●	●	●	10	138944
3/4" x 1/4"	●	●	●	10	138982
3/4" x 3/8"	●	●	●	10	138975
3/4" x 1/2"	●	●	●	10	138968
1" x 1/2"	●	●	●	10	139002
1" x 3/4"	●	●	●	10	138999
1 1/4" x 3/4"	●	●	●	10	139026
1 1/4" x 1"	●	●	●	10	139019
1 1/2" x 1"	●	●	●	5	139040
1 1/2" x 1 1/4"	●	●	●	5	139033
2" x 1"	●	●	●	2	139071
2" x 1 1/4"	●	●	●	2	139064
2" x 1 1/2"	●	●	●	2	139057
2 1/2" x 2"	●	●	●	2	139088
3" x 2 1/2"	●	●	●	1	139101



DOUBLE NIPPLE, MALE THREAD

Model 1561

reduced, with conical male thread

thread	D	W	H	pkg. unit	EAN no. 4027848-
3/4" x 1/2"	●	●	●	10	232154
1" x 1/2"	●	●	●	10	233588
1" x 3/4"	●	●	●	10	139118
1 1/4" x 1"	●	●	●	10	139125
1 1/2" x 1 1/4"	●	●	●	5	139132

APPLICATION	D	● = Drinking Water
	W	● = Water
	H	● = Heating



COUNTER NUT, FEMALE THREAD

Model 160

with cylindrical female thread

thread	D	W	H	pkg. unit	EAN no. 4027848-
3/8"	●	●	●	20	142354
1/2"	●	●	●	20	142361
3/4"	●	●	●	20	142378
1"	●	●	●	20	142385
1 1/4"	●	●	●	20	142392
1 1/2"	●	●	●	10	153015
2"	●	●	●	10	142415



LOCKING PLUG, MALE THREAD

Model 164

with square (1" with hexagon)
with cylindrical male thread

thread	D	W	H	pkg. unit	EAN no. 4027848-
1/8"	●	●	●	20	142439
1/4"	●	●	●	20	142446
3/8"	●	●	●	20	142453
1/2"	●	●	●	20	142460
3/4"	●	●	●	10	142477
1" (with hexgon)	●	●	●	10	142484
1 1/4"	●	●	●	5	142491
1 1/2"	●	●	●	5	142507
2"	●	●	●	5	142514
3"	●	●	●	1	142538



LOCKING PLUG, MALE THREAD

Model 1641

with square
with conical male thread

thread	D	W	H	pkg. unit	EAN no. 4027848-
3/4"	●	●	●	10	142545
1"	●	●	●	10	142552
1 1/4"	●	●	●	5	142569
1 1/2"	●	●	●	5	142576
2"	●	●	●	5	142583

**LOCKING CAP, FEMALE THREAD****Model 165**

without seal,
with cylindrical female thread

thread	D	W	H	pkg. unit	EAN no. 4027848-
1/4"	●	●	●	10	142606
3/8"	●	●	●	10	142613
1/2"	●	●	●	10	142620
3/4"	●	●	●	10	142637
1"	●	●	●	10	142644
1 1/4"	●	●	●	10	142651
1 1/2"	●	●	●	5	142668
2"	●	●	●	5	142675
2 1/2"	●	●	●	2	142682

**SOCKET****Model 166**

with Cu-pipe connection inside, without sealing surface
flat sealing

for union nut	Cu pipe Ø	NW	D	W	H	pkg. unit	EAN no. 4027848-
3/4"	15	1/2"	●	●	●	20	201099
3/4"	18	1/2"	●	●	●	20	197941
1"	22	3/4"	●	●	●	20	195251
1 1/4"	28	1"	●	●	●	10	191390
1 1/2"	35	1 1/4"	●	●	●	5	193660
2"	42	1 1/2"	●	●	●	1	192243
2 1/2"	54	2"	●	●	●	1	192250

APPLICATION	D	● = Drinking Water
	W	● = Water
	H	● = Heating



WATER METER FITTING
Model 167

with Cu-pipe connection inside, without sealing surface and bore

for union nut	Cu pipe Ø	NW	D	W	H	pkg. unit	EAN no. 4027848-
3/4"	15	1/2"	●	●	●	10	143566
3/4"	18	1/2"	●	●	●	10	143573
1"	22	3/4"	●	●	●	10	143580
1 1/4"	28	1"	●	●	●	10	143597
1 1/2"	35	1 1/4"	●	●	●	5	143603
2"	42	1 1/2"	●	●	●	2	143610
2 1/2"	54	2"	●	●	●	1	143627



PIPE NIPPLE, MALE THREAD

Model 154

bar material, with conical male thread

thread	length (mm)	D	W	H	pkg. unit	EAN no. 4027848-
1/2"	30	●	●	●	10	224234
1/2"	40	●	●	●	10	139682
1/2"	50	●	●	●	10	139699
1/2"	60	●	●	●	10	139705
1/2"	70	●	●	●	10	139712
1/2"	80	●	●	●	10	139729
1/2"	90	●	●	●	10	139736
1/2"	100	●	●	●	10	139743
1/2"	110	●	●	●	10	139750
1/2"	120	●	●	●	10	139767
1/2"	130	●	●	●	10	139774
1/2"	140	●	●	●	10	139781
1/2"	150	●	●	●	10	139798
1/2"	170	●	●	●	10	139811
1/2"	180	●	●	●	10	139828
1/2"	190	●	●	●	10	139835
1/2"	200	●	●	●	10	139842
1/2"	250	●	●	●	10	192076
3/4"	30	●	●	●	20	226221
3/4"	40	●	●	●	20	139859
3/4"	50	●	●	●	10	139866
3/4"	60	●	●	●	10	139873
3/4"	70	●	●	●	10	139880
3/4"	80	●	●	●	10	139897
3/4"	90	●	●	●	10	139903
3/4"	100	●	●	●	10	139910
3/4"	110	●	●	●	10	139927
3/4"	120	●	●	●	10	139934
3/4"	130	●	●	●	10	139941
3/4"	140	●	●	●	10	139958
3/4"	150	●	●	●	10	139965
3/4"	160	●	●	●	10	139972
3/4"	180	●	●	●	10	139996
3/4"	200	●	●	●	10	140015
1"	40	●	●	●	10	140022
1"	50	●	●	●	10	140039
1"	60	●	●	●	10	140046
1"	70	●	●	●	10	140053
1"	80	●	●	●	10	140060
1"	90	●	●	●	10	140077
1"	100	●	●	●	10	140084
1"	110	●	●	●	10	140091
1"	120	●	●	●	10	140107
1"	130	●	●	●	10	140114
1"	140	●	●	●	10	140121

APPLICATION	D	● = Drinking Water
	W	● = Water
	H	● = Heating



PIPE NIPPLE, MALE THREAD

Model 154

bar material, with conical male thread

thread	length (mm)	D	W	H	pkg. unit	EAN no. 4027848-
1"	150	●	●	●	5	140138
1"	160	●	●	●	5	140145
1"	180	●	●	●	5	140169
1"	190	●	●	●	5	140176
1"	200	●	●	●	5	140183
1 1/4"	40	●	●	●	10	140190
1 1/4"	50	●	●	●	10	140206
1 1/4"	60	●	●	●	10	140213
1 1/4"	70	●	●	●	10	140220
1 1/4"	80	●	●	●	10	140237
1 1/4"	90	●	●	●	5	140244
1 1/4"	100	●	●	●	5	140251
1 1/4"	110	●	●	●	5	140268
1 1/4"	120	●	●	●	5	140275
1 1/4"	130	●	●	●	5	140282
1 1/4"	140	●	●	●	5	140299
1 1/4"	150	●	●	●	5	140305
1 1/4"	160	●	●	●	5	140312
1 1/4"	180	●	●	●	5	140336
1 1/4"	200	●	●	●	5	140350
1 1/2"	40	●	●	●	5	140367
1 1/2"	60	●	●	●	5	140381
1 1/2"	70	●	●	●	5	140398
1 1/2"	80	●	●	●	5	140404
1 1/2"	90	●	●	●	5	140411
1 1/2"	100	●	●	●	5	140428
1 1/2"	110	●	●	●	5	140435
1 1/2"	120	●	●	●	5	140442
1 1/2"	130	●	●	●	5	140459
1 1/2"	140	●	●	●	5	140466
1 1/2"	150	●	●	●	5	140473
1 1/2"	180	●	●	●	2	140503
1 1/2"	200	●	●	●	2	140527
2"	50	●	●	●	5	140541
2"	60	●	●	●	5	140558
2"	70	●	●	●	5	140565
2"	80	●	●	●	2	140572
2"	90	●	●	●	2	140589
2"	100	●	●	●	2	140596
2"	110	●	●	●	2	140602
2"	120	●	●	●	2	140619
2"	140	●	●	●	2	140633
2"	150	●	●	●	2	140640
2"	200	●	●	●	2	140695
2"	250	●	●	●	1	191086



BEULCO® GmbH & Co. KG

Kölner Str. 92
D-57439 Attendorn

Postbox 120
D-57425 Attendorn

Phone +49 2722 695-0
Fax +49 2722 695-5240

info@beulco.de
www.beulco.de